

Revolution Machine Tools

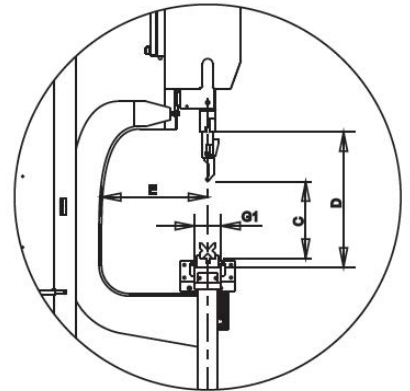
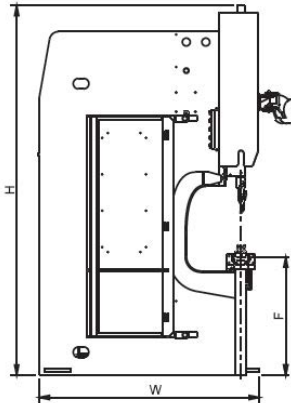
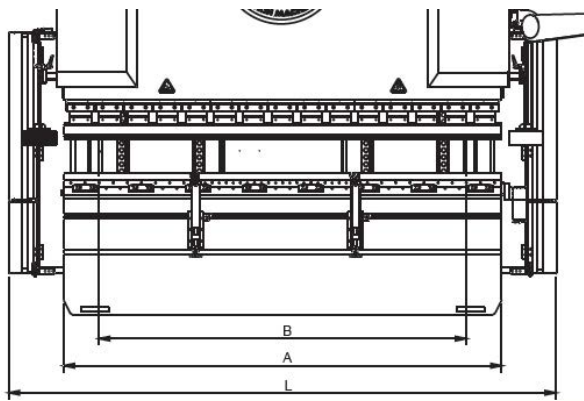


Main Warehouse
385 North 700 West
North Salt Lake City Ut. 84054
www.RMTUS.com
Sales: Phone: (844)768-4636 info@rmtus.com
Service: Phone: (844)RMT-SERV (844)768-7378 service@rmtus.com
Parts & Tooling: Phone (844) 768-4636 Talip@rmtus.com
Prepared by:

Machine Specifications

RMT Machine Stock Number:		Machine Dimensions and Weight	
Manufacture		Length x Width x Height	
Type		Machine Weight in Lbs.	
Model #		Incoming Power Requirements	
Serial #		Incoming Voltage	
Mfg. Year		Full Load Current Amps	
Status:		Min. Incoming Wire Size	
		Recommended Breaker	
		Horse Power	Main Motor

Machine Capacity - Capabilites



All Information subject to Verification

If you have any questions Regarding this Specification sheet, please contact us at info@rmtus.com or (844) 768-4636

Thank You For The Opportunity!



Fiber Lasers



Press Brakes



Shears



Ironworkers



Bandsaws



Plate Rolls



Angle Rolls



Dishing Presses



Flanging Machines



Drilling Machines