

B-GENIUS[®] SERIES

PRESS BRAKE

+ INDUSTRY 4.0



STANDARD

- 7 Axis CNC:
 - + Y1, Y2 precision ram positioning
 - + X, R precision servo-driven back gauge
 - + Z1, Z2 Axes
 - + CNC motorized wave crowning
- Large trio of value:
 - + Large open height
 - + Large stroke
 - + Large throat depth
- Safety laser with manual F. AKAS II M -FPSC-B-C + safety covers with switch
- Delem DA-66T touch screen CNC control unit with 3D graphical visualization
- Clamping:
 - + American/European section-style box punch clamps
(standard on 440 Ton and lower)
 - + American-only style punch clamp available at no charge on 440 Ton and lower
- Standard X Axis travel is 32.3" with third gauge step capable of gauging parts up to 41.7" with standard back gauge (most machines)
- Stable and fast AC servo motor-driven precision back gauge with linear guide and ball bearing system (X, R, Z1, Z2)
- Quick-set sliding front sheet support arms with full-length linear guide, tilting stop and T-slot (front gauge squaring, etc.)
- Protection covers (side and rear safety doors)
- Rear work light
- World-class hydraulic and electronic components that are easily replaceable (parts stocked by us or available off-the-shelf from your local supplier):
 - + Hydraulic blocks and valves (Hoerbiger)
 - + Electronics system (Siemens, Schneider, Mitsubishi)
- Adjustable height suspension control unit arm
- High-yield plate construction
- Ability to accurately fade ram
- Stage bending
- Automatic bend sequence determination
- Automatic stretch length calculator for blank size determination
- Hydraulic Oil (up to 250 Ton machines)

OPTIONAL

- Safety laser: Motorized F. AKAS III M
- Light curtain: SICK C 4000 for tandem/trio/quad machines
- Adaptive bending sensors (angle measurement)
- Up to 14+ Axes available:
 - + X1, X2 Axes
 - + R1, R2 Axes
 - + X Prime (Delta X) Axis, +/- 5" stroke (10" total)
 - + X Axis = 40" external travel – back protection with light barrier
 - + X1, X2 Axes for light pole production
 - + Sheet follower with sliding guide – motorized height adjustment
 - + Front feeding system with supports
 - + Front feeding system with supports – pneumatic pushers
- Other CNC control units available:
 - + Delem DA-69T touch screen 2D/3D CNC control
 - + Cybelec ModEva 10S/12S/15S 3D with PC 1200 3D SW
- Clamping:
 - + Quick release clamping
 - + RMT hydraulic or mechanical clamping
 - + Wila or Wilson hydraulic or mechanical clamping
- Various tool options (RMT, Euro-American, Wila or Wilson)
- Extended back gauge stroke & back protection with light barrier
- Off-line software (V-Bend, Radbend, Profile-W)
- Tooling packages
- Multiple brake configurations available:
 - + Tandem configuration
 - + Trio configuration
 - + Quad configuration
 - + High tonnage flush floor models
- Custom colors
- Strain gauge's
- Material thickness measurement
- Keyed and interlocked frame

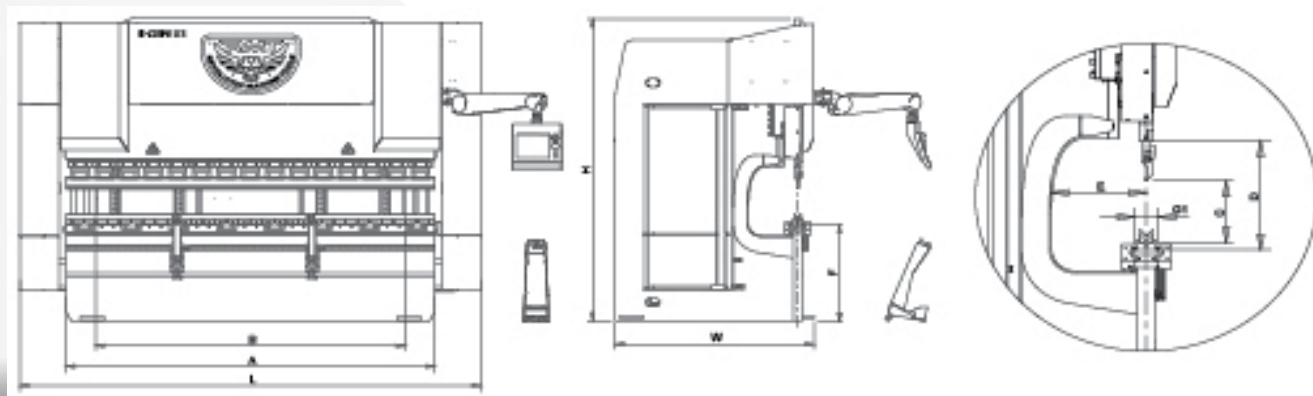


B-GENIUS

B-GENIUS SERIES	STANDARD MACHINE CHARACTERISTICS											
	BENDING FORCE	BENDING LENGTH	DISTANCE BETWEEN FRAMES	LENGTH OF RAM STROKE	DAYLIGHT	THROAT DEPTH	BED HEIGHT	BED CAP WIDTH (STANDARD)	BED CAP WIDTH (OPTIONAL)	# SLIDING FRONT SUPPORT ARMS	MOTOR POWER	OIL TANK CAPACITY
	(US)	A	B	C	D	E	F	G1	G2	QTY		
	Tons	Feet	Feet	Inch	Inch	Inch	Inch	Inch	Inch	Pcs.	HP	Gal
B-GENIUS 6-70	70	6' 10"	5' 7"	11"	20.9"	16.1"	35.4"	4"	7"	2	10	40
B-GENIUS 8-110	110	8' 6"	7' 3"	11"	20.9"	16.1"	35.4"	4"	7"	2	15	53
B-GENIUS 10-110	110	10' 2"	8' 6"	11"	20.9"	16.1"	35.4"	4"	7"	2	15	53
B-GENIUS 10-150	150	10' 2"	8' 6"	11"	20.9"	16.1"	35.4"	4"	7"	2	20	79
B-GENIUS 10-200	200	10' 2"	8' 6"	11"	20.9"	16.1"	35.4"	4"	10"	2	20	79
B-GENIUS 12-200	200	12' 4"	10' 8"	11"	20.9"	16.1"	35.4"	4"	10"	2	20	79
B-GENIUS 14-200	200	14' 0"	12' 4"	11"	20.9"	16.1"	35.4"	4"	10"	2	30	79
B-GENIUS 10-250	250	10' 2"	8' 6"	11"	20.9"	16.1"	35.4"	4"	10"	2	25	79
B-GENIUS 12-250	250	12' 4"	10' 8"	11"	20.9"	16.1"	35.4"	4"	10"	2	25	79
B-GENIUS 14-250	250	14' 0"	12' 5"	11"	20.9"	16.1"	35.4"	4"	10"	2	25	79
B-GENIUS 20-250	250	20' 0"	16' 9"	11"	20.9"	16.1"	43.3"	6"	12"	4	25	79
B-GENIUS 10-350	350	10' 2"	8' 6"	15"	24.8"	16.1"	35.4"	6"	12"	2	40	106
B-GENIUS 12-350	350	12' 4"	10' 8"	15"	24.8"	16.1"	35.4"	6"	12"	2	40	106
B-GENIUS 14-350	350	14' 0"	12' 4"	15"	24.8"	16.1"	35.4"	6"	12"	2	40	106
B-GENIUS 20-350	350	20' 0"	16' 9"	15"	24.8"	16.1"	43.3"	6"	12"	4	40	106
B-GENIUS 12-440	440	13' 5"	11' 8"	15"	24.8"	20.1"	39.4"	6"	12"	2	40	106
B-GENIUS 14-440	440	14' 0"	12' 5"	15"	24.8"	20.1"	39.4"	6"	12"	2	40	106
B-GENIUS 20-440	440	20' 0"	16' 9"	15"	24.8"	20.1"	43.3"	6"	12"	4	40	106
B-GENIUS 14-550	500	14' 0"	12' 5"	15"	24.8"	20.1"	41.3"	6"	12"	2	60	119
B-GENIUS 20-550	550	20'	16' 9"	15"	24.8"	20.1"	35.4"	6"	12"	4	40	132

Due to ongoing product development, machine specifications can change at any time.

Extra daylight, stroke, increased throat depths readily available



B-GENIUS



B-GENIUS SERIES	RAM SPEEDS PROGRAMMABLE					BACK GAUGE SYSTEM							MACHINE DIMENSIONS			
	Y-AXIS APPROACH SPEED	Y-AXIS FORMING SPEED	Y-AXIS FORMING SPEED UP TO 350 TON	DECOMPRESSION	Y-AXIS RETURN SPEED	X-AXIS SPEED	X-AXIS TRAVEL	3 RD GAUGEABLE FINGER POSITION	R-AXIS MAX. SPEED	R-AXIS TRAVEL	Z1-Z2 AXIS MAX. SPEED	# BACKGAUGE FINGER BLOCKS	LENGTH	WIDTH	HEIGHT	APPROX. WEIGHT
	Prog.	Prog.	Opt.	Prog.	Prog.	Prog.	Prog.	Prog.	Std.	Std.	Opt.	QTY	L	W	H	lbs
	I.P.M.	I.P.M.	I.P.M.	I.P.M.	I.P.M.	I.P.M.	Inch	Inch	I.P.M.	Inch	I.P.M.	Pcs.	Inch	Inch	Inch	lbs
B-GENIUS 6-70	94-472	0-24	0-50	0-24	94-472	5-1890	32.3"	41.7"	5-378	10.2"	5-3425	2	128"	77"	108"	12,790
B-GENIUS 8-110	94-472	0-24	0-50	0-24	94-472	5-1890	32.3"	41.7"	5-378	10.2"	5-3425	2	148"	77"	110"	15,400
B-GENIUS 10-110	94-472	0-24	0-50	0-24	94-472	5-1890	32.3"	41.7"	5-378	10.2"	5-3425	2	167"	77"	110"	16,720
B-GENIUS 10-150	94-472	0-24	0-50	0-24	94-472	5-1890	32.3"	41.7"	5-378	10.2"	5-3425	2	167"	80"	110"	19,360
B-GENIUS 10-200	85-425	0-24	0-50	0-24	85-425	5-1890	32.3"	41.7"	5-378	10.2"	5-3425	2	167"	84"	110"	21,120
B-GENIUS 12-200	85-425	0-24	0-50	0-24	85-425	5-1890	32.3"	41.7"	5-378	10.2"	5-3425	2	193"	85"	110"	24,420
B-GENIUS 14-200	85-425	0-24	0-50	0-24	85-425	5-1890	32.3"	41.7"	5-378	10.2"	5-3425	2	201"	67"	115"	31,306
B-GENIUS 10-250	76-378	0-24	0-50	0-24	85-425	5-1890	32.3"	41.7"	5-378	10.2"	5-3425	2	179"	89"	112"	25,740
B-GENIUS 12-250	76-378	0-24	0-50	0-24	85-425	5-1890	32.3"	41.7"	5-378	10.2"	5-3425	2	201"	87"	114"	28,160
B-GENIUS 14-250	76-378	0-24	0-50	0-24	85-425	5-1890	32.3"	41.7"	5-378	10.2"	5-3425	2	209"	89"	118"	32,560
B-GENIUS 20-250	66-331	0-24	0-50	0-24	85-425	5-1181	32.3"	41.7"	5-378	10.2"	5-3445	4	295"	93"	126"	57,200
B-GENIUS 10-350	66-331	0-24	0-50	0-24	76-378	5-1890	32.3"	41.7"	5-378	10.2"	5-3425	2	179"	97"	126"	38,500
B-GENIUS 12-350	66-331	0-24	0-50	0-24	76-378	5-1890	32.3"	41.7"	5-378	10.2"	5-3425	2	201"	97"	124"	45,760
B-GENIUS 14-350	66-331	0-24	0-50	0-24	76-378	5-1890	32.3"	41.7"	5-378	10.2"	5-3425	2	211"	97"	124"	48,400
B-GENIUS 20-350	57-283	0-24	0-50	0-24	76-378	5-1181	32.3"	41.7"	5-283	10.2"	5-3445	4	295"	97"	132"	70,400
B-GENIUS 12-440	57-283	0-21	0-50	0-21	71-354	5-1181	40.2"	49.6"	5-283	10.2"	5-3425	2	215"	104"	137"	59,400
B-GENIUS 14-440	57-283	0-21	0-50	0-21	66-331	5-1181	40.2"	49.6"	5-283	10.2"	5-3425	2	220"	104"	136"	60,060
B-GENIUS 20-440	57-283	0-21	0-50	0-21	66-331	5-1181	40.2"	49.6"	5-283	10.2"	5-3445	4	301"	104"	148"	89,320
B-GENIUS 14-550	52-260	0-21	0-50	0-21	66-331	5-1181	40.2"	49.6"	5-283	10.2"	5-3425	2	211"	89"	146"	66,139
B-GENIUS 20-550	47-236	0-21	0-50	0-21	66-331	5-1181	40.2"	49.6"	5-283	10.2"	5-3445	4	311"	104"	146"	96,800

Due to ongoing product development, machine specifications can change at any time.

