



HYDRAULIC WORKSHOP TYPE PRESSES

RMT H-FAB H presses come in standard sizes and can be customized and produced according to customer purpose. These are workshop-type presses and can be manufactured up to 1100 Tons in automatic and manual as optional. They are used mostly in repair and maintenance workshops for the small bending, punching, straightening, extracting/removing.

H-FAB H Series

STANDARD

- Chrome plated cylinder
- Steel welded frame
- Oil pressure gauge
- Pressure adjustment
- 2 speed hydraulics
- Large ram stroke
- Movable cylinder (left to right)
- V-block with working plate
- Common off the shelf components, typically of German or USA origin (Rex roth, Parker, Sneiders, and Seimens)

OPTIONAL

- Pressure regulator
- Automatic control
- Hydraulic movable cylinder motion - by an additional hydraulic cylinder
- Die sets
- Stroke, open height and widths
- Included press
- Rolling bolsters



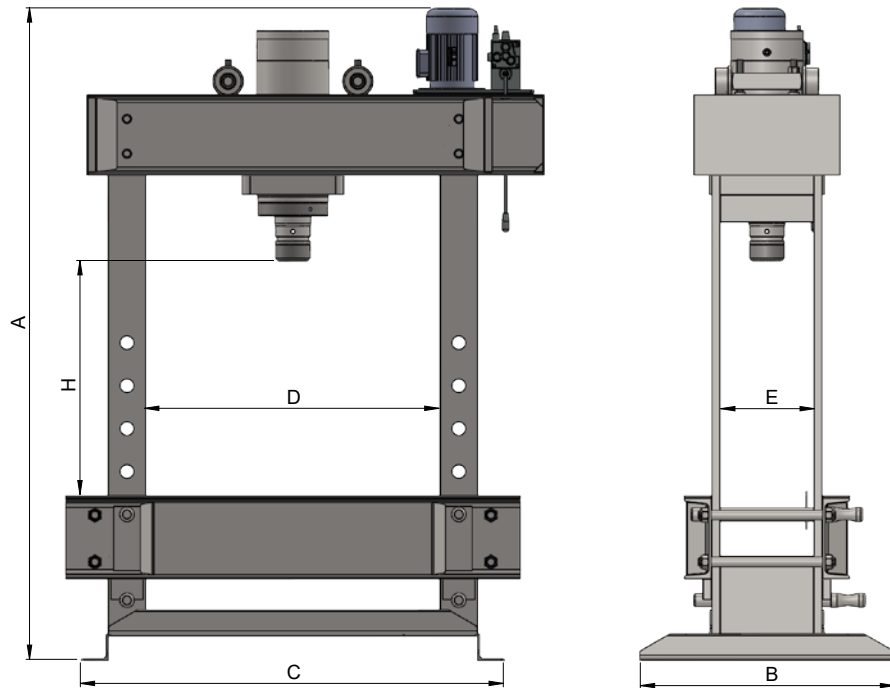
H-FAB H SERIES



Custom machines available in different daylight, closed height, stroke and tonnage to 330 ton.
Available with vertical, horizontal or inclined frames. Also available with rolling bolsters.

H-FAB H SERIES STANDARD SPECIFICATIONS		H-FAB H65	H-FAB H90	H-FAB H110	H-FAB H130	H-FAB H180	H-FAB H200	H-FAB H220	H-FAB H275	H-FAB H330	H-FAB H440	H-FAB H550
Ton	(US)	65	90	110	130	180	200	220	275	330	440	550
Clear Front	D	Inch 32"	36"	40"	47"	43"	61"	51"	51"	55"	55"	55"
Clear Side	E	Inch 12"	12"	12"	16"	14"	22"	18"	18"	22"	22"	22"
Stroke	Inch	16"	16"	16"	16"	16"	16"	16"	16"	16"	16"	16"
Daylight	H	Inch 35.4"	35.4"	35.4"	35.4"	35.4"	35.4"	35.4"	35.4"	35.4"	35.4"	35.4"
Motor Power	HP	4	4	5	5	7	10	10	20	20	40	40
Down Speed	I.P.M.	15"	13"	17"	14"	15"	20"	15"	21"	24"	24"	21"
Return Speed	I.P.M.	24"	20"	32"	23"	24"	32"	27"	31"	48"	64"	46"
Foot Length	B	Inch 34"	35"	35"	39"	39"	47"	47"	47"	59"	59"	51"
Foot Width	C	Inch 47"	52"	52"	64"	54"	77"	72"	86"	86"	87"	87"
Width	Inch	58"	61"	63"	75"	65"	88"	83"	97"	97"	98"	98"
Height	A	Inch 95"	95"	97"	97"	100"	112"	112"	104"	130"	130"	130"
Voltage	PH	1	3	3	3	3	3	3	3	3	3	3
Weight	lbs	1,543	1,598	2,205	2,756	2,866	4,630	5,732	6,834	9,921	14,330	18,739

Due to ongoing product development, machine specifications can change at any time.



V-blocks



Hydraulic system



Integrated lifting eye



Hardened ram nose with easy change tools